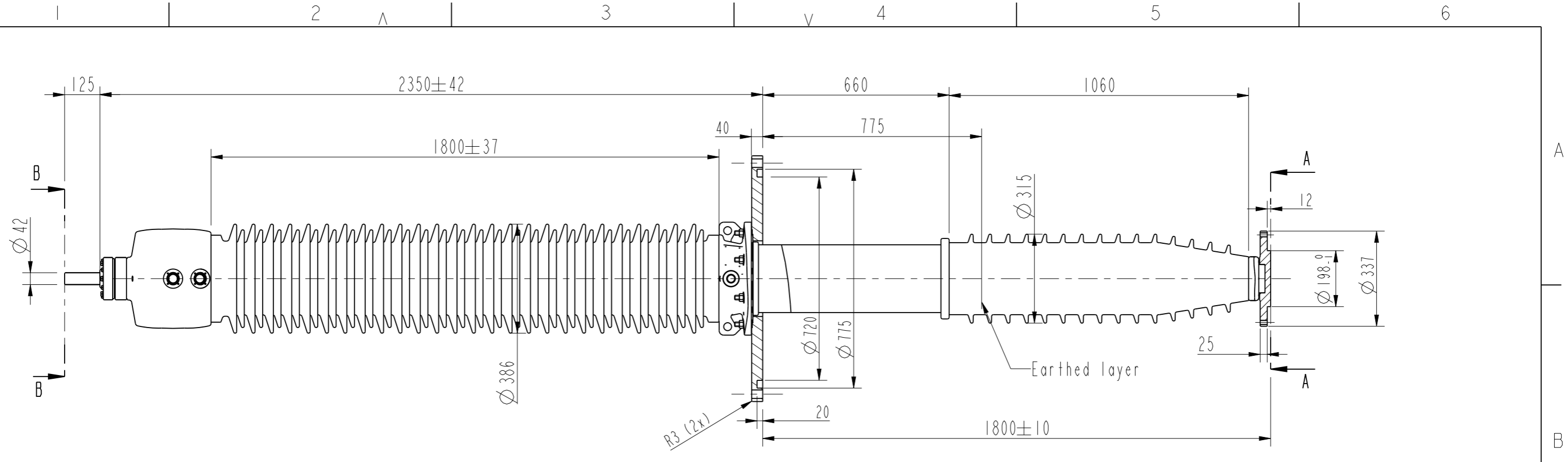
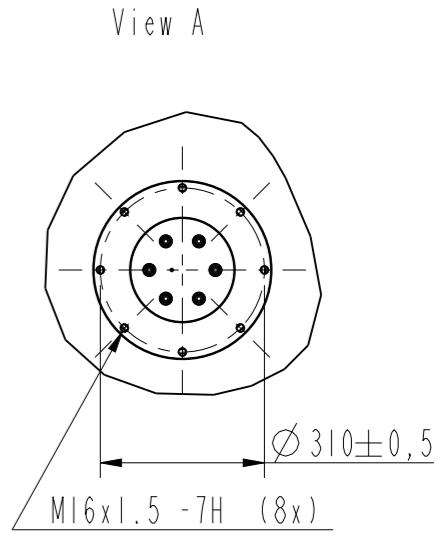
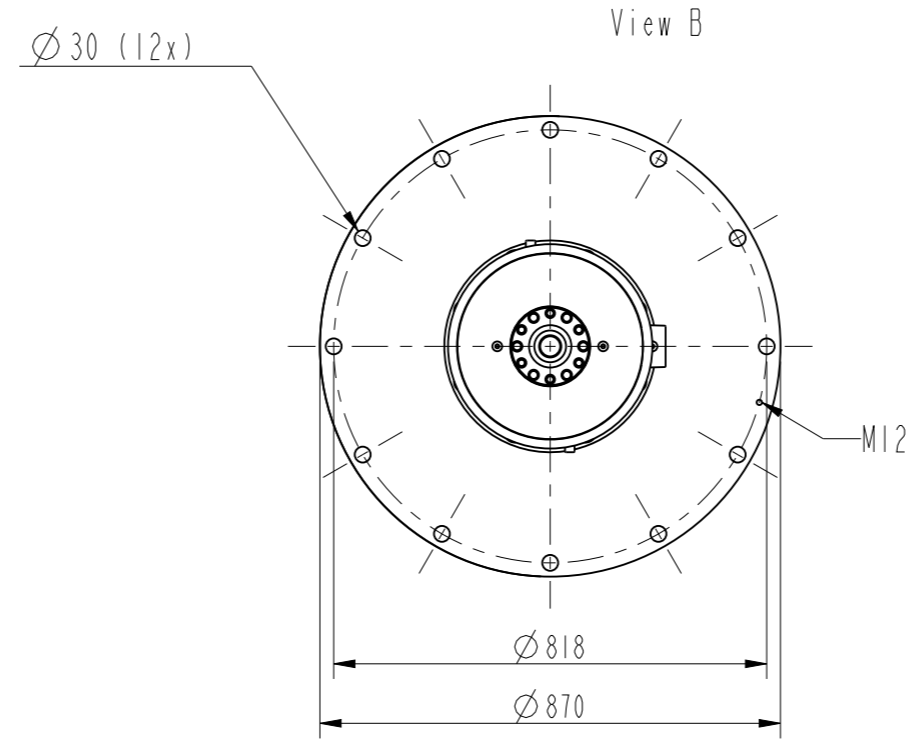


This document is issued by means of a computerized system. The digitally stored original is electronically approved. The approved document has a date entered in the "Approved"-field. A manual signature is not required.



BUSHING DATA	
Rated voltage	245 kV
Max phase to earth voltage	146 kV
Rated current	2000 A
Lightning impulse	950 kV
Switching impulse, wet	650 kV
Power frequency, wet	425 kV
Power frequency, 1 min, dry	490 kV
Creepage distance	6820 mm
Mass	570 kg



ORDERING DATA	
BUSHING LF121199-A	Colour of insulator Brown
OUTER TERMINAL LF170073-AC	D=42, Cu/Sn
BOTTOM CONTACT 4649131-S	Cu

Prepared Natalia Gutman 2012-09-18	Responsible department PPCO/BK	Title GOEB 900	
Modified by Peter Runnholm 2012-11-09	Take over department		
Approved by Niklas Olsson 2012-11-13	Used in product	Order	Language 82
Revision B	Bushing data updated	Document no. 2751369-406	Steel no.
			No. Shis. (1)

The information contained in this document has to kept strictly confidential. Any unauthorized use, reproduction, distribution or disclosure to third parties are strictly forbidden. ABB reserves all rights regarding Intellectual Property Rights. © Copyright 2010 ABB. All rights reserved.